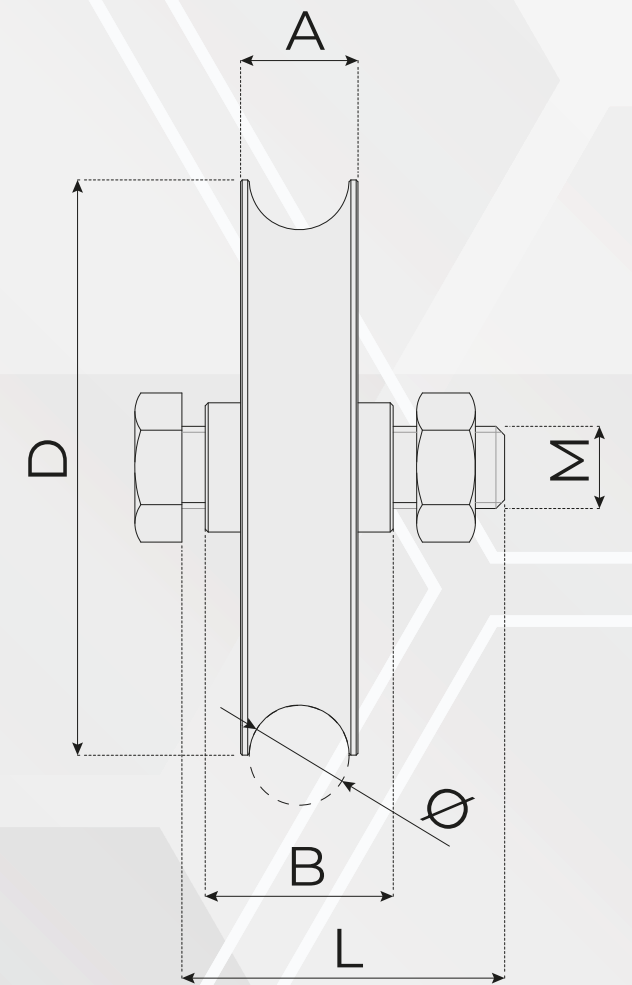


**RUOTE WHEELS**



**Galvanized wheel with bolt.**

With half-round groove

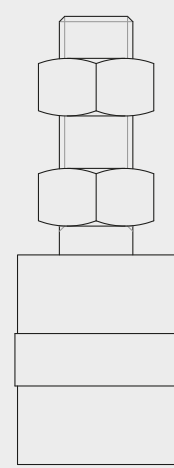
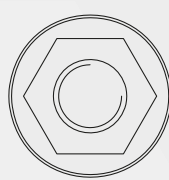
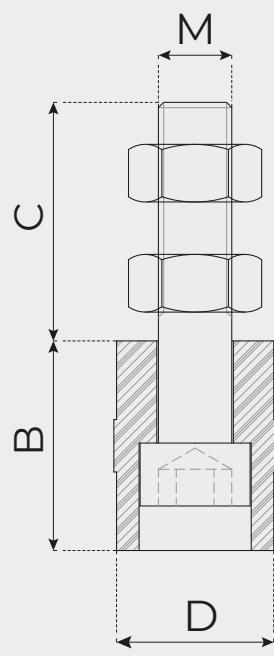
	00101100	D (mm)	A (mm)	B (mm)	Ø GROOVE	CAPACITY	BOLT
<b>1</b> 	102.100	98	20	32	16	250 kg	M14x60
	102.120	118	20	32	16	250 kg	M14x60
<b>2</b> 	104.140	138	30	34	20	500 kg	M14x70
	104.160	158	30	34	20	500 kg	M14x70
	104.300	298	38	48	20	800 kg	M16x80



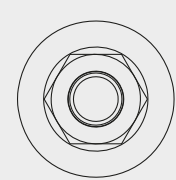
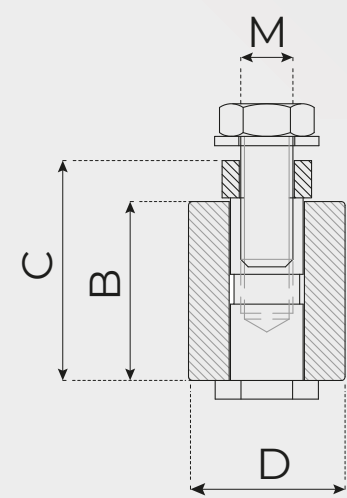
**ROLLERS**



**220**  
WITH PIN



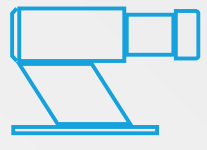
**221**  
WITH SPACE  
WASHER



**White nylon guide rollers.**

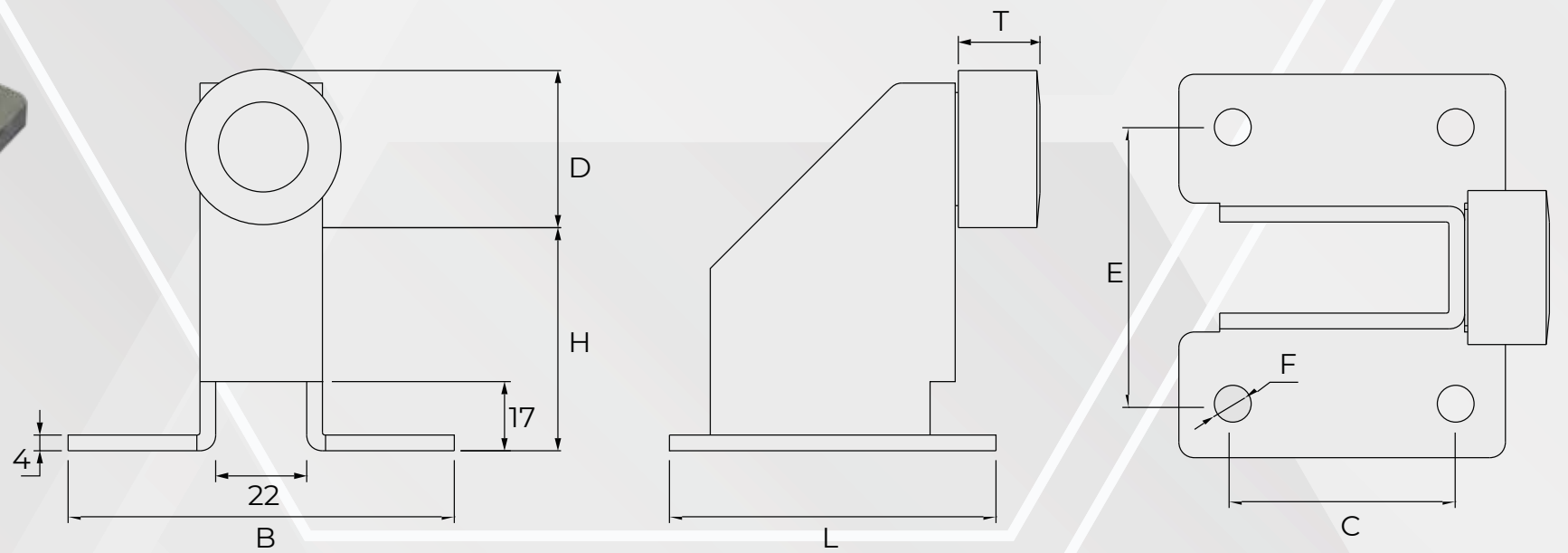
00101100	D (mm)	B (mm)	C (mm)	M (mm)
220.3	40	56	52	16
221.3	52	48	64	16






**LIMIT SWITCHES**

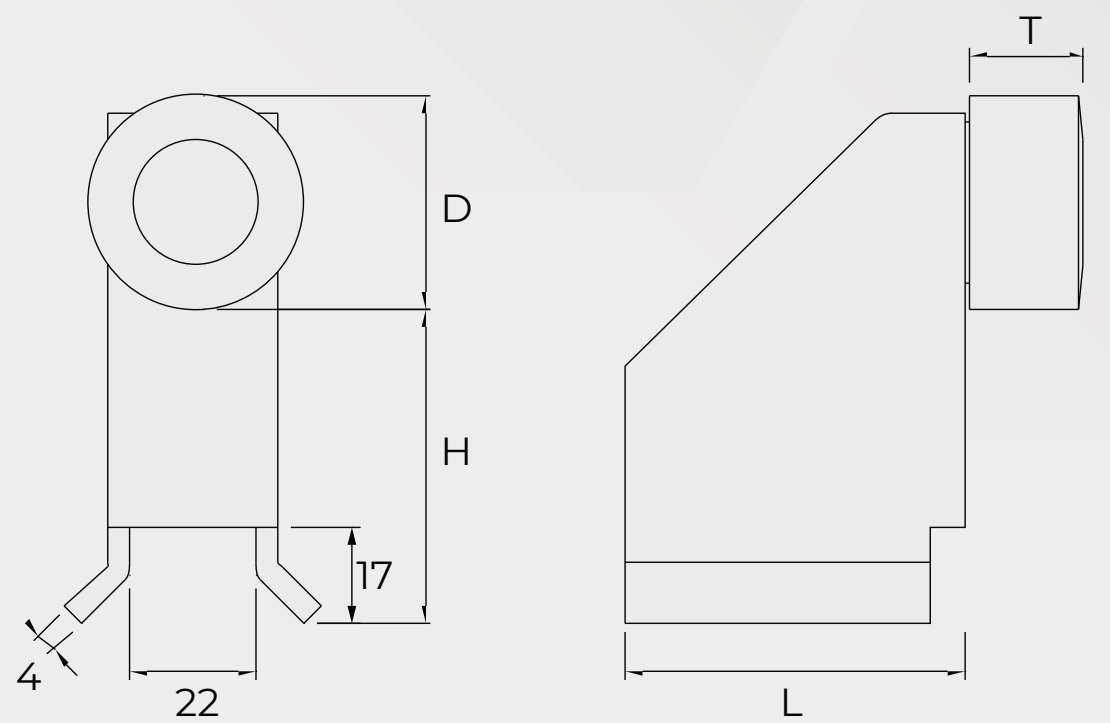
**247**




Limit stops for sliding gates to be fixed.

	A (mm)	B (mm)	C (mm)	E (mm)	F (mm)	D (mm)	H (mm)	T (mm)
247.1	80	94	55	68	9	38	55	20
247.2	95	107	65	78	11	43	75	26

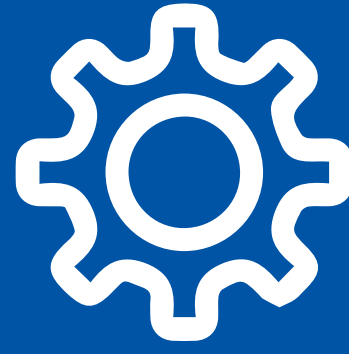
**246**



Limit stops for sliding gates to be welded.

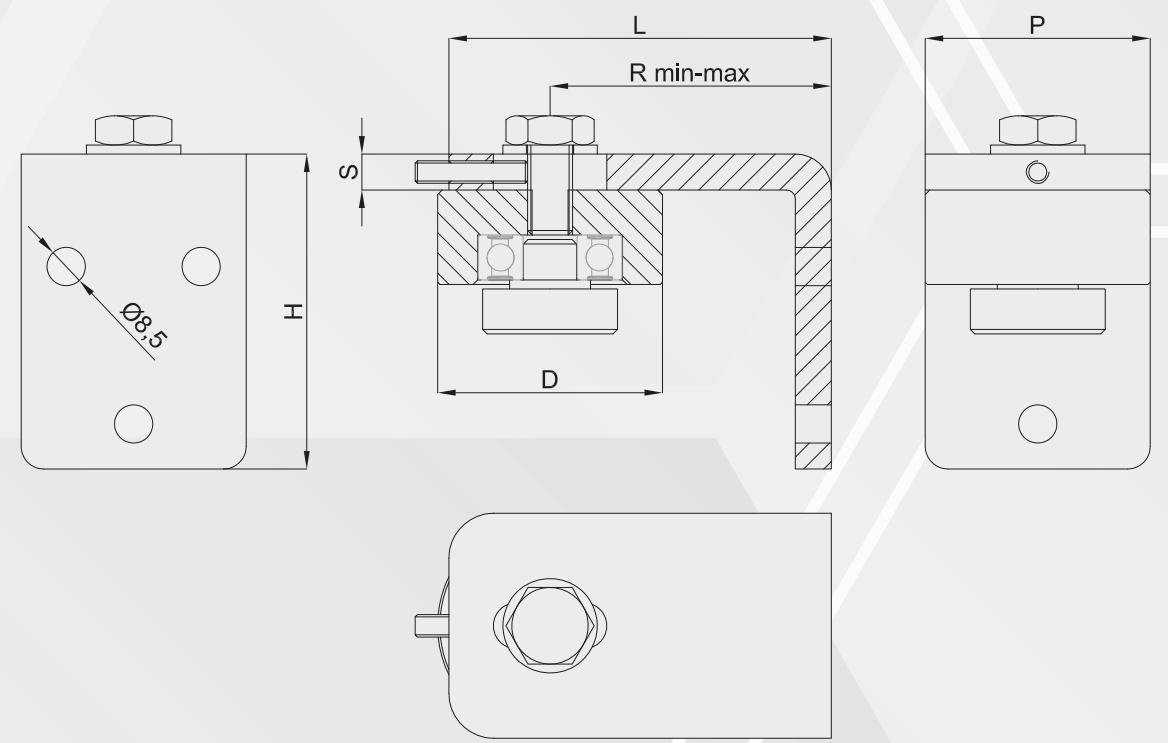
	D (mm)	H (mm)	L (mm)	T (mm)
246.1	38	55	60	20
246.2	43	72	75	26





**HINGES WITH BEARING**

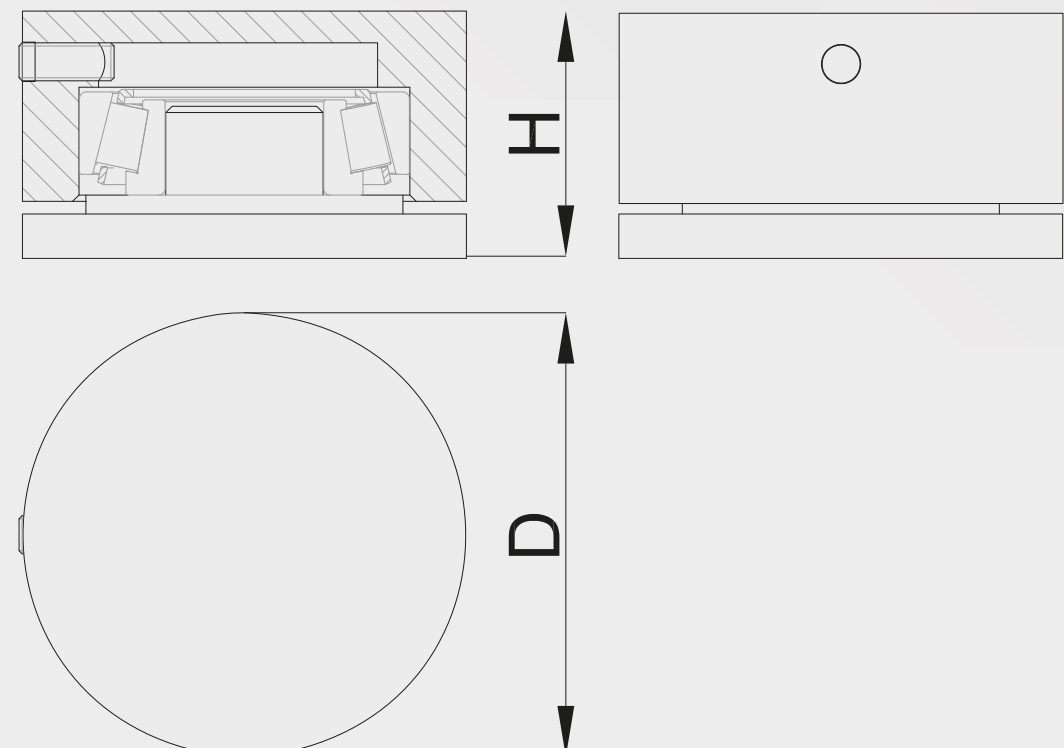
**451**




**Upper hinge with bearing & bracket to be fixed.**

 00101100	D (mm)	R <sub>MIN-MAX</sub> (mm)	L (mm)	P (mm)	H (mm)	S (mm)	X <sub>BMax</sub> (mm)
451.4	70	103-113	130	50	80	12	320 kg
<i>new</i> 451.42	70	103-113	130	80	80	12	500 kg

**455**



**Lower hinge to be welded with bearing.**

 00101100	D (mm)	H (mm)	Y <sub>AMAX</sub>	LOAD STATIC
455.1	45	35	200 kg	800 kg
455.4	70	35	800 kg	1800 kg

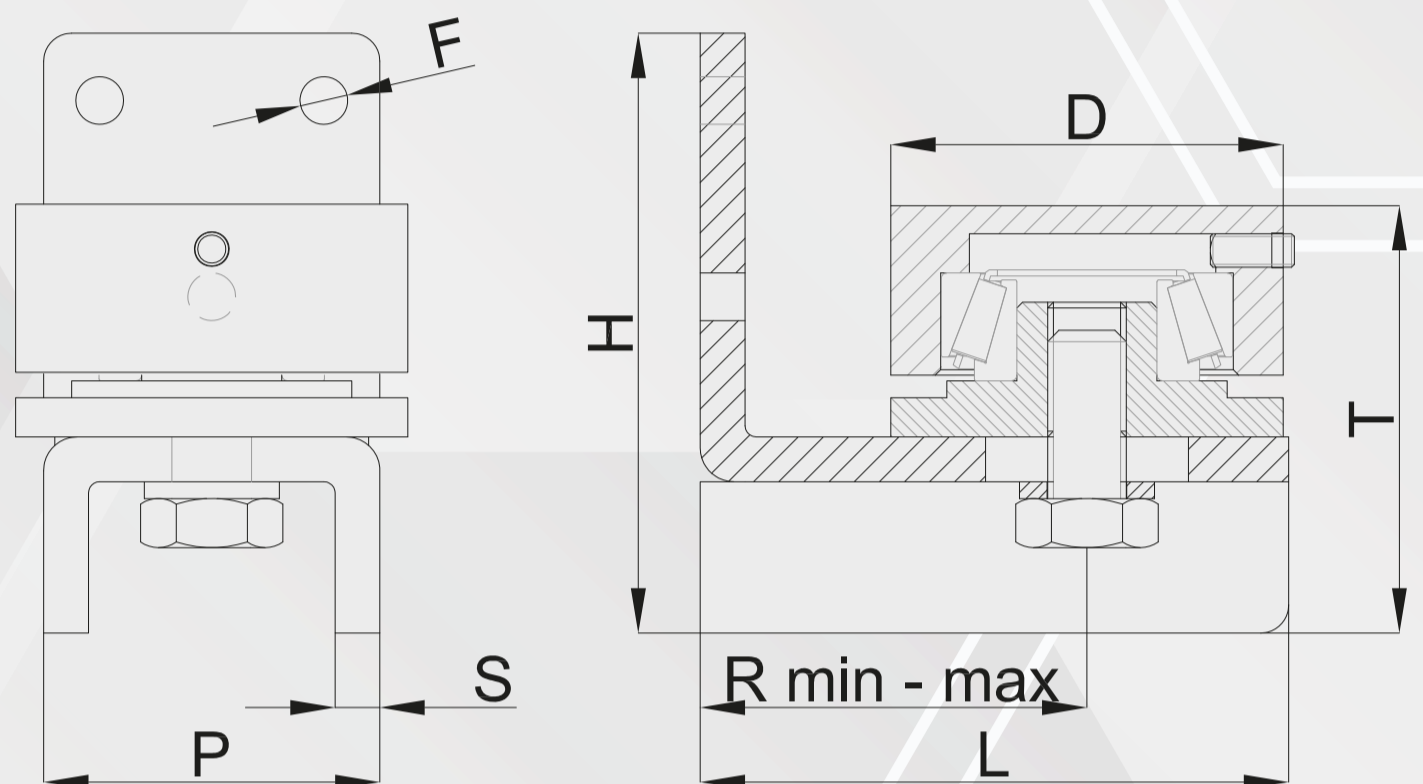




**HINGES WITH BEARING**



**456**

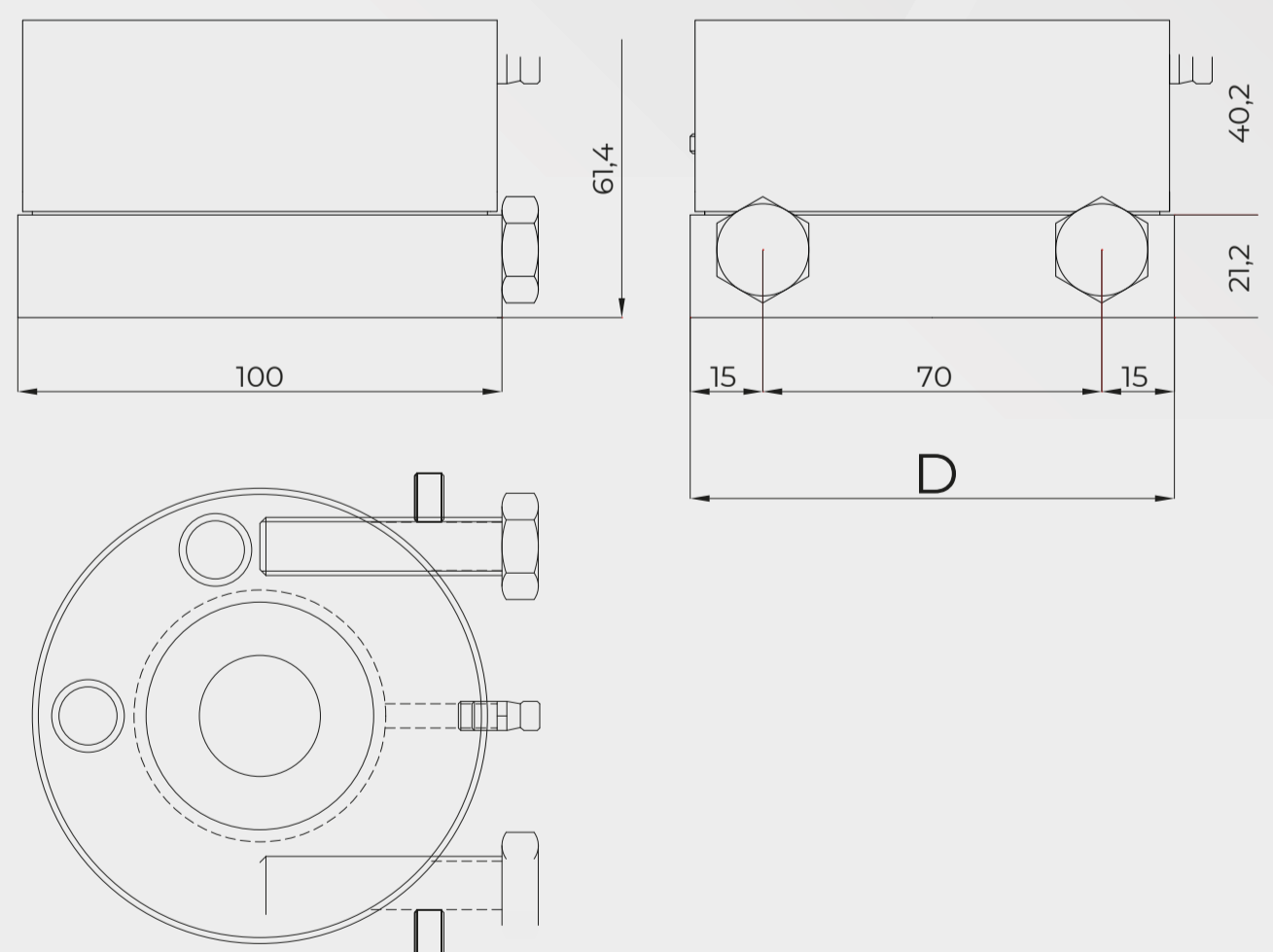


**Long screw hinge with plate to be welded**

	D (mm)	R MIN-MAX (mm)	L (mm)	P (mm)	H (mm)	F (mm)	S (mm)	T (mm)	YA MAX	LOAD STATIC
456.4	70	58-80	100	60	107	8,5	8	66	800 kg	1800 kg



**460**



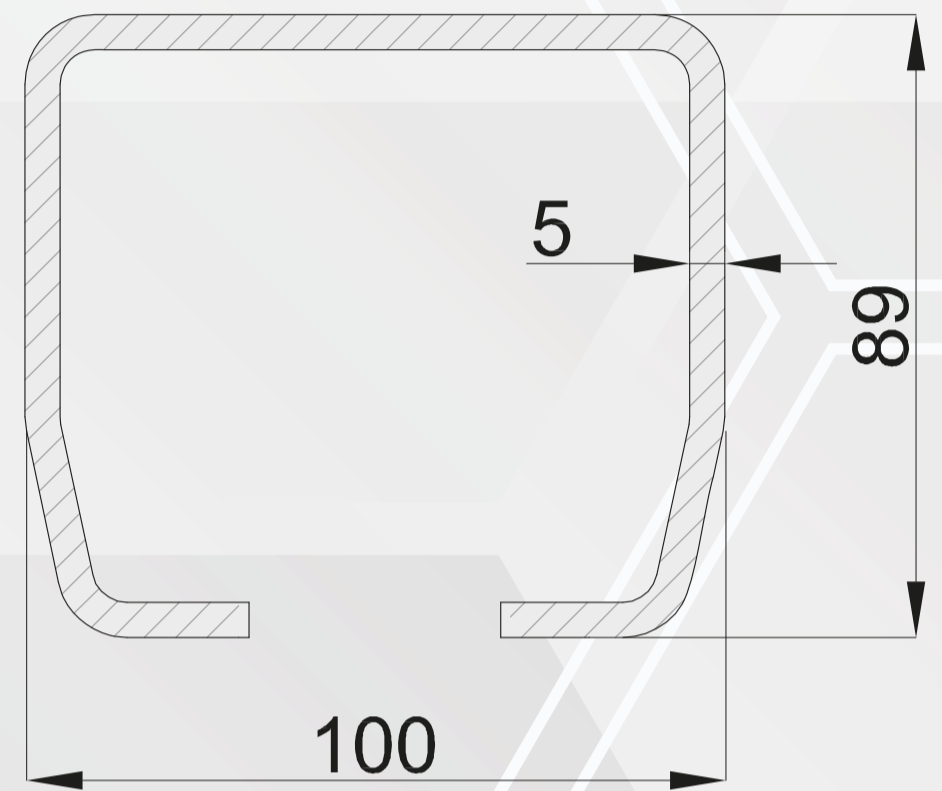
**Hinge with mechanical locking devices**

	D (mm)	YA MAX	LOAD STATIC
460.5	80	1000 kg	3000 kg





**TRACKS**

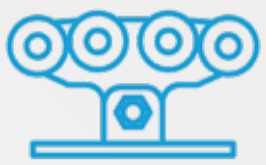


**328.3/6L**

**Galvanized guide track.**

 00101100	SERIES	L (mm)	L x H x S (mm)	FINISHING	TRACK WEIGHT
328.3	L	3000	100 x 89 x 5	ZINCATA GALVANIZED	11,69 kg/m
328.6		6000			





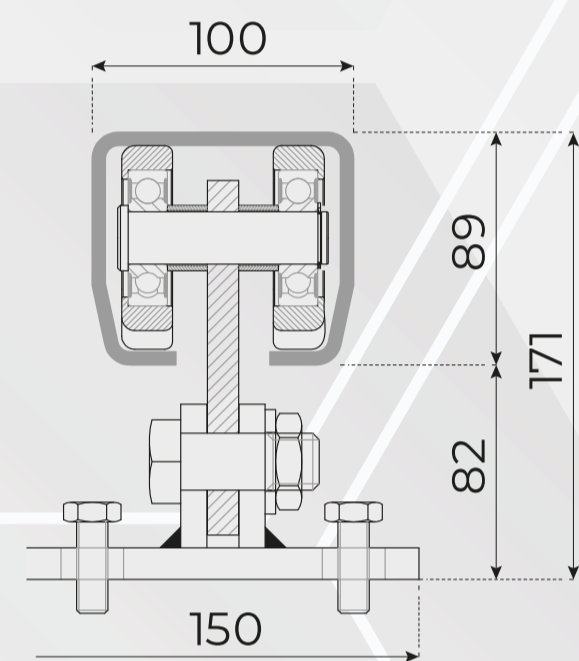
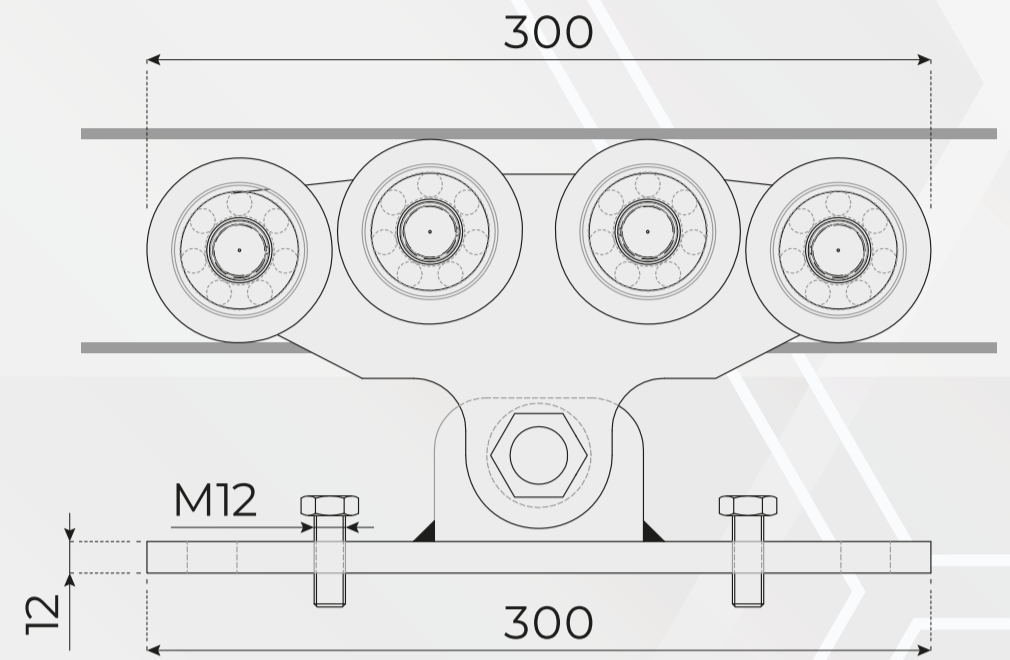
**SUPPORT ROLLERS**  
Cantilever Sliding Gates



**301.8L**

**Support roller 8 wheels series L**

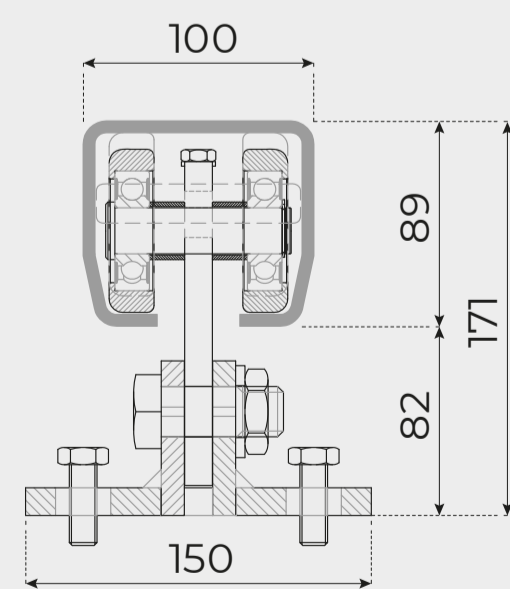
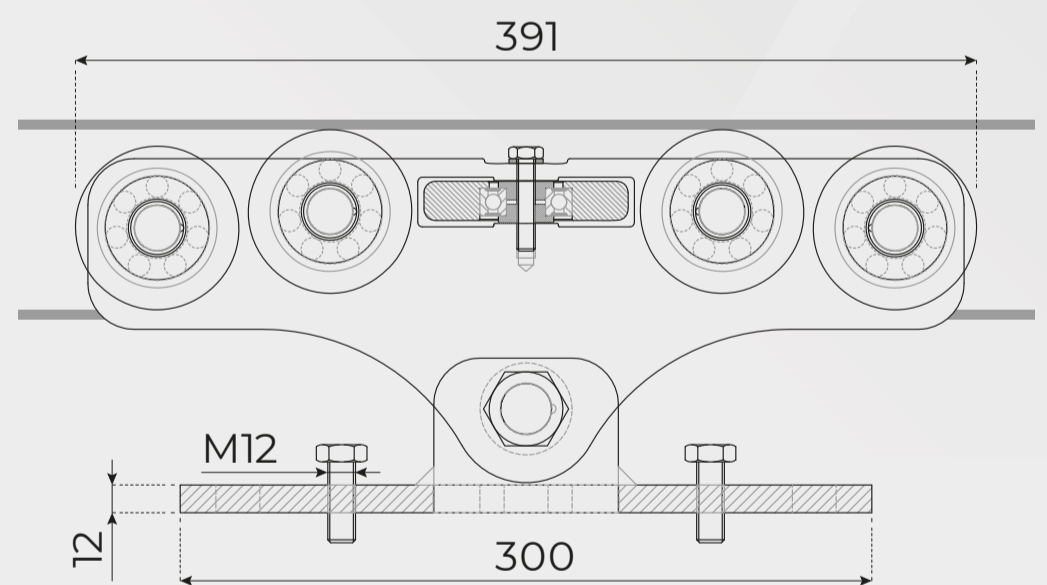
00101100	SERIES
301.8L	L



**301.9L**

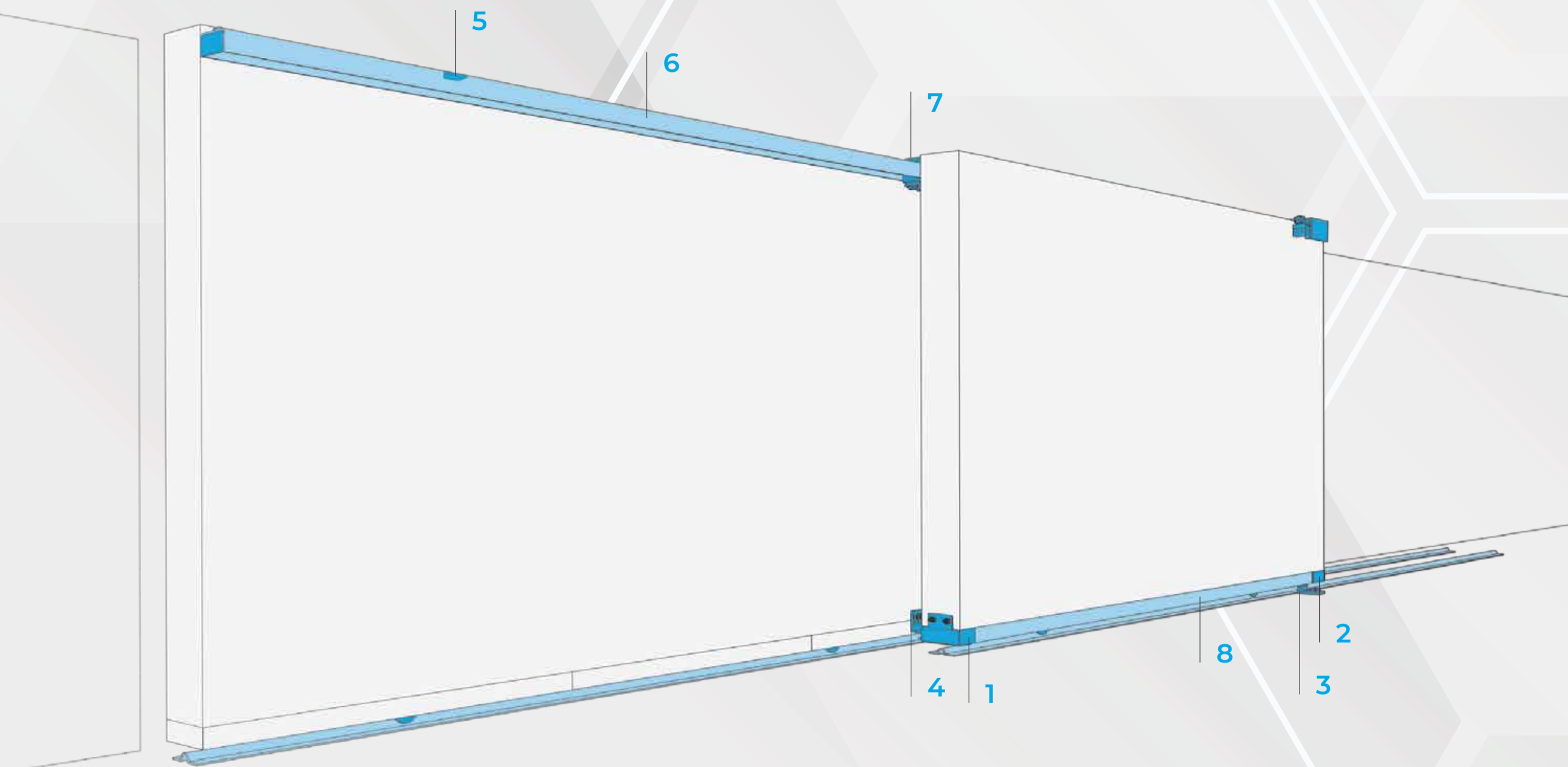
**Support roller 9 wheels series L**

00101100	SERIES
301.9L	L

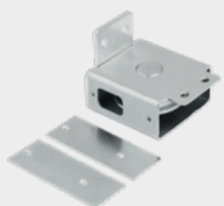











## TELESCOPIC HI MOTION KITS



### Components of the telescopic system:

- |  |   |  |   |
|--|---|--|---|
| <p><b>1</b></p>  <p><b>282.401</b><br/><b>282.501</b><br/>Galvanized fixed pulley box for cable</p> | <p><b>2</b></p>  <p><b>282.411</b><br/><b>282.511</b><br/>Galvanized adjustable pulley box for cable</p> | <p><b>3</b></p>  <p><b>282.521</b><br/><b>282.541</b><br/>Galvanized cable ground fixing bracket</p>  | <p><b>4</b></p>  <p><b>282.531</b><br/><b>282.551</b><br/>Galvanized connection bracket between the two leaves</p> |
| <p><b>5</b></p>  <p><b>283.011</b><br/>Galvanized L-bracket for track 283</p>                       | <p><b>6</b></p>  <p><b>283.3XX</b><br/><b>283.4XX</b><br/>Galvanized track</p>                           | <p><b>7</b></p>  <p><b>283.30X</b><br/><b>283.40X</b><br/>Galvanized guide bracket with 4 rollers</p> | <p><b>8</b></p>  <p><b>284.401</b><br/><b>284.501</b><br/><b>284.503</b><br/>Cable</p>                             |

Available in various types of kit.

