

230_{VAC}24_{VDC}

BOB50M

BOB5024E

LINEAR WORM SCREWS

patented FACE gears
full metal mechanics
gear and female screw in bronze
personalised release key

up to 5.0 m



CONTROL UNITS:

BOB50M — BRAINY HEADY
BOB50ME — BRAINY
BOB5024E — BRAINY24+
BRAINY24

BENINCA

100%
Made in Italy



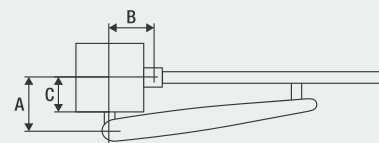
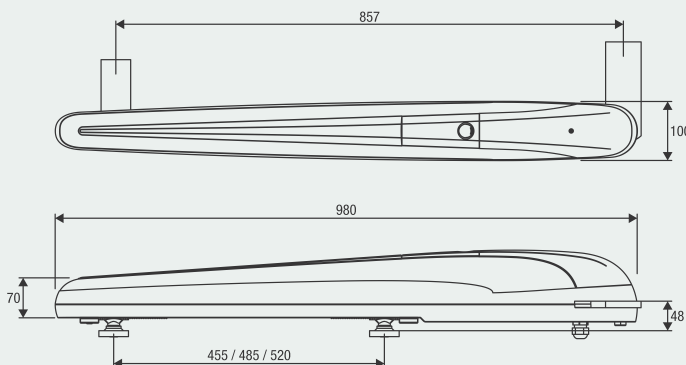
Reliable, quiet, and quick to install geared motor, thanks to its 2 adjustable mechanical stops for opening and closing. Available in the 230 Vac and 24 Vdc versions. Rolled ball screws Ø 20 mm. Easy access release from above.

230 Vac

- Irreversible 230 Vac electromechanical geared motor
- Available in two versions: one with an easily adjustable limit switch (BOB50M) the other with encoder (BOB50ME)
- The encoder device in the BOB50ME version ensures crush prevention and precision in the gate moving phases

24 Vdc | intensive use

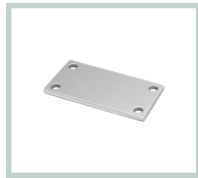
- Irreversible 24 Vdc electromechanical geared motor for intensive use, equipped with encoder
- The encoder device ensures maximum safety and precision in the gate moving phases
- Amperometric sensor obstacle detection system to prevent crushing
- Optional battery powered operation



A (mm)	B (mm)	C (mm)
150-225	150-225	90-155

**B5.SR**

Bracket to attach with screws.

**B.P**

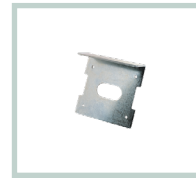
Screw-on plate.

**DU.V96**

12 Vac/dc vertical electric lock, supplied with counterplate. Permits internal/external release.

**DU.V90**

12 Vac/dc horizontal electric lock, supplied with counterplate. Permits internal/external release.

**DU.9990**

Covering plate for DU.V90.

**E.LOCK**

230 Vac vertical electric lock, supplied with counterplate.

**E.LOCKSE**

Extended cylinder for E.LOCK electric lock. It allows unlocking gates up to 55mm-thick from the outside.

**CABLE.24E**

Cable reel with 5 conductors (2 for motor, 3 for encoder) for connecting the encoder device in the 24 Vdc versions. L= 100 m.

**ID.TA**

Warning board.

**IRI.TX4VA**

4-channel transmitter with Advanced Rolling Code and Rolling Code.

**IRI.TX4AK**

4-channel transmitter with Advanced Rolling Code and Fixed Code.

**IRI.LAMP**

White full range flashing light, 20-255 VAC with built-in aerial.

**IRI.KPAD**

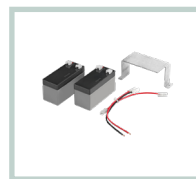
Battery operated wireless vandal-proof digital keypad with alert buzzer and backlit buttons. Triple coding: Rolling Code, Programmable Code and Advanced Rolling Code. 254 memorisable codes.

**IRI.CELL**

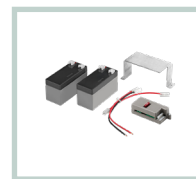
Pair of vandal-proof metal covers for PUPILLA/PUPILLA.R photocells, comprising front and rear shells with concealed screw. They can maintain perfect orientation over 180°.

**PUPILLA**

Pair of photocells adjustable to 180°. Option to synchronise up to 4 pairs, 24 VAC/DC power supply. Easy adjustment through a LED that signals optimal alignment. Compact size: 36x110x35 mm

**BRAINY24.CB-SW**

Accessory equipped with 1.2 Ah batteries and support bracket.

**BRAINY24.CB**

Accessory with CBY.24V battery charger, 1.2 Ah batteries and support bracket.

AUTOMATISMI BENINCA SpA • Via del Capitello, 45 • 36066 Sandrigo (VI) ITALY • T +39 0444 751030 • sales@beninca.com

TECHNICAL DATA	BOB50M*	BOB50ME*	BOB5024E*
Power supply	230 Vac (50-60Hz)	230 Vac (50-60Hz)	230 Vac (50-60Hz)
Motor supply	230 Vac	230 Vac	24 Vdc
Max absorbed current	1.4 A	1.4 A	6.7 A
Max Thrust	3500 N	3500 N	2200 N
Opening time	26"	26"	21"
Duty cycle	30%	30%	intensive use
Standard stroke	455 mm	455 mm	455 mm
Max stroke	520 mm	520 mm	520 mm
Protection level	IP44	IP44	IP44
Encoder	NO	YES	YES
Operating temperature	-20°C /+50°C	-20°C /+50°C	-20°C /+50°C
Leaf max dimension	5 m	5 m	5 m
Weight	11.6 kg	11.6 kg	10.2 kg
Items no. per pallet	30	30	30

* Available in 115 VAC version